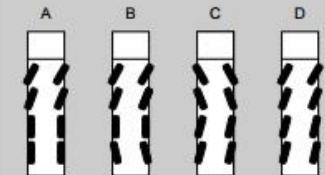
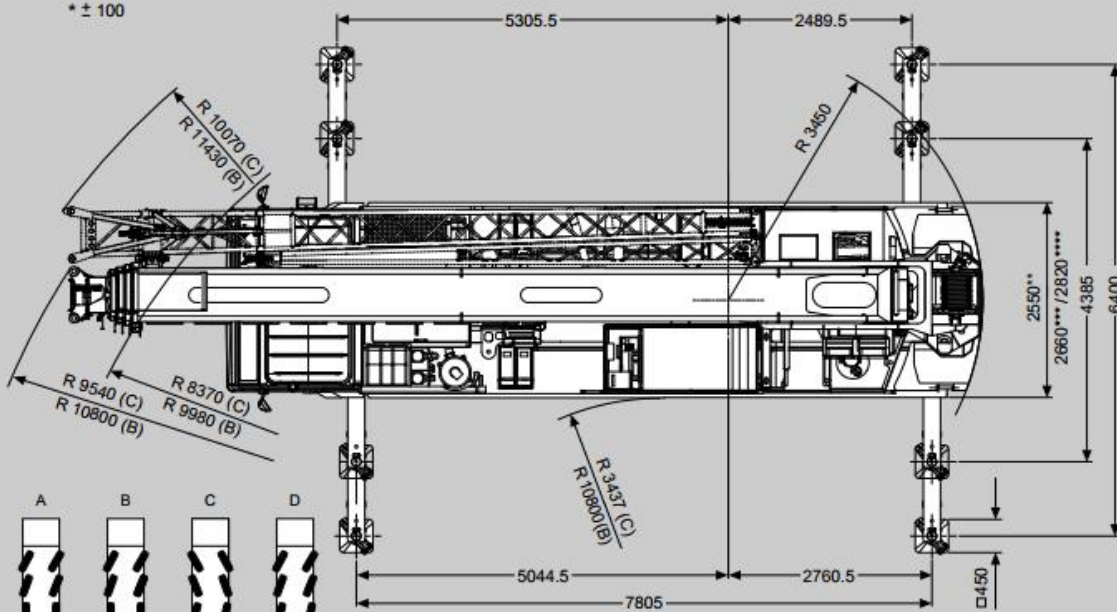


\* ± 100



v > 25 km/h v < 25 km/h

- \*\* 14.00 R25 (385/95 R 25)
- \*\*\* 16.00 R25 (445/95 R 25)
- \*\*\*\* 20.5 R25 (525/80 R 25)