



**SPIERINGS  
KRANEN**

Mark: **SPIERINGS** Type: **SK488-AT4**

**Crane identification**

Serial number:

Year of construction: \_\_\_\_\_

Crane group : 3 as per NEN 2018  
 Loadspectrum : 2 as per NEN 2018  
 Classification : A as per NEN 2018  
 Stability : as per NEN 2022

Identifacation-  
number

**93 tm**

Max. load

**8,0 tonne**

Max. radius  
with max. load

**12,76 m**

Max. capacity

**102 tm**

Max. jib lenght

**40m**

**Speeds**

Jib horizontal / jib 30° luffed

	m/min	kg
	18	8000
	27	4000
	40	2000
	75	0
	0 - 70 m/min	
	0-0,9 rpm	

All motions with hydraulic proportinal controls

Luffing the jib 30° can be controlled from crane cab or via remote control

Driving with erected tower and jib, only with the jib horizontal and positioned over the front carriage, platform locked to the carrier and the outriggers fully extended (max. inclination 2°)

Rated lifting capacity is net capacity

Crane equipped with full counterweight: 9300 kg

360° continuous slewing, with outriggers out and down

2 Outriggers positons: 6,90 x 6,70 m  
6,90 x 5,15 m

Operation allowed up to a windforce of 7 on the Beaufortscale. (wind speed 17 m/sec.)

Sail area of the load max. 1,0 m<sup>2</sup>/ tonne at a windforce of 7 on the Beaufortscale.

Operating temperature range from -15° to 40° C.

In all cases 2 parts of line

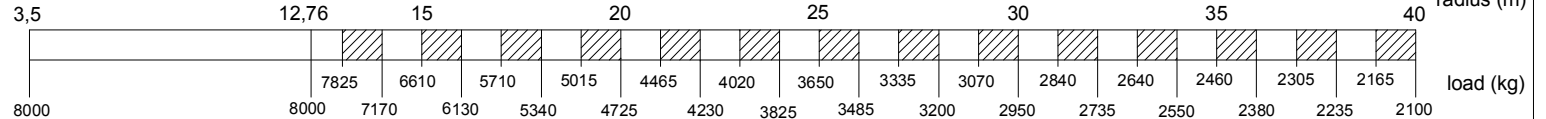
Max. line pull force 4000 kg

The crane should be folded in at a windforce >9 (21m/sec) or when not in use for a longer period

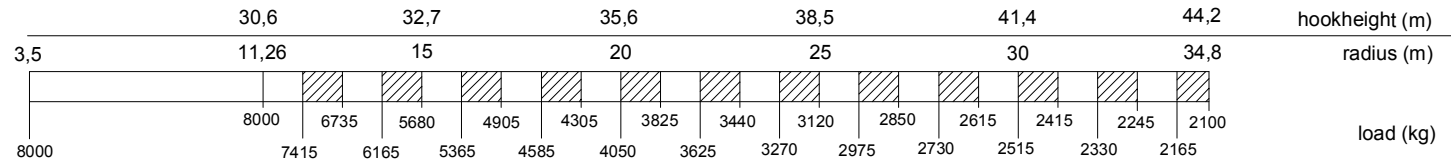
**LIFTING CHART Outrigger spread 6,90 m x 6,70 m**

**Jib horizontal**

Hookheight 25 m (height under jib 26,8 m)



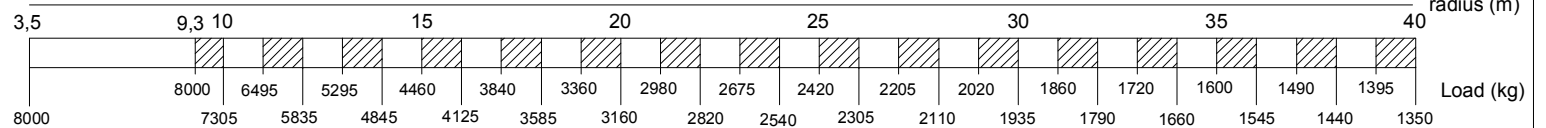
**Jib 30° luffed**



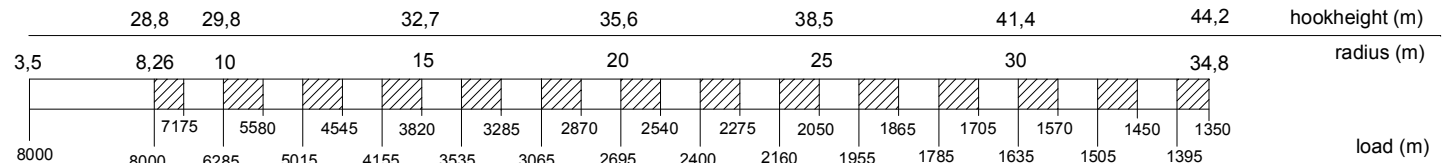
**LIFTING CHART Outrigger spread 6,90 m x 5,15 m**

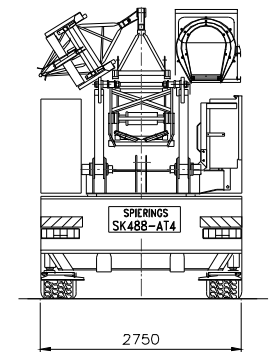
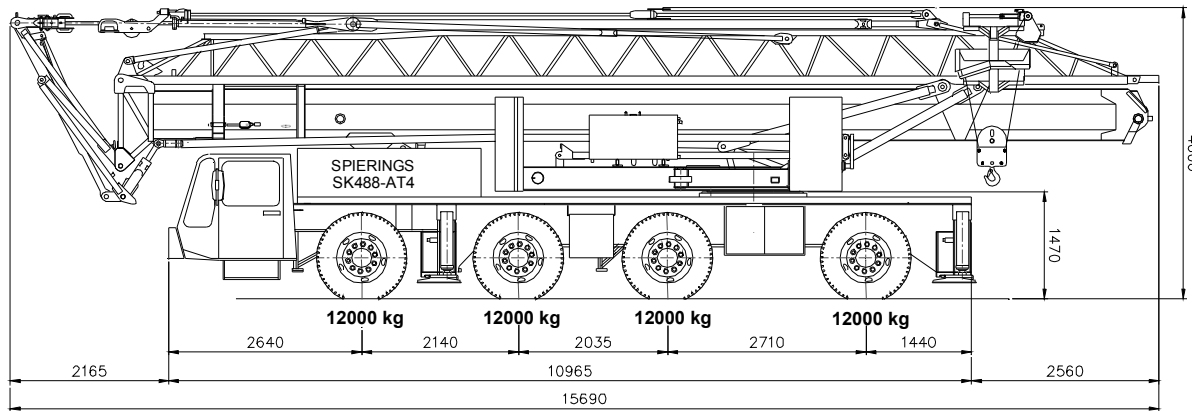
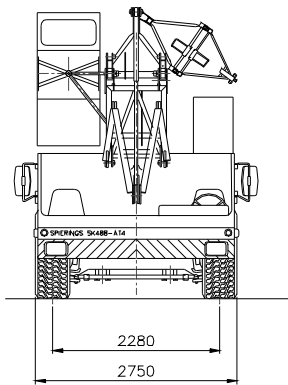
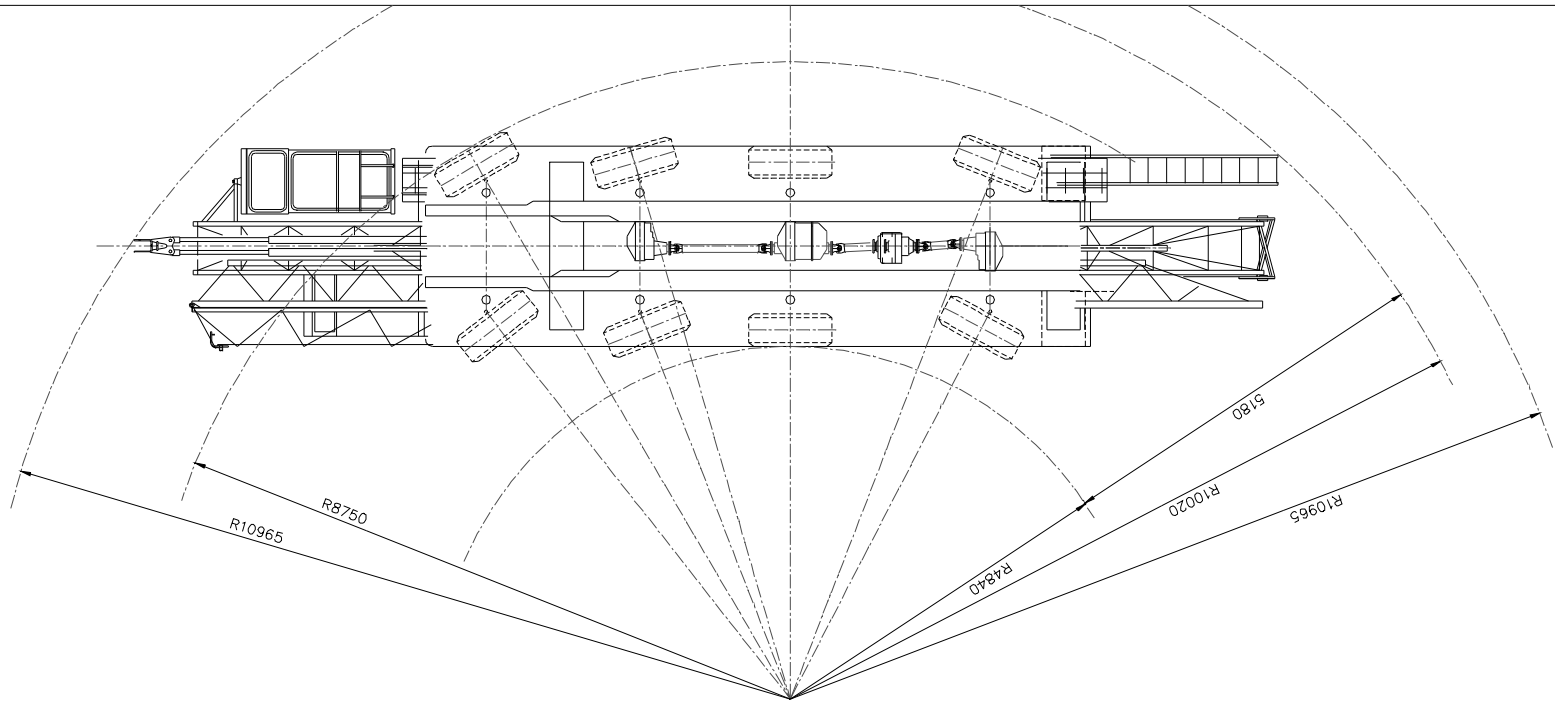
**Jib horizontal**

haakhoogte 25 m (hoogte onder de giek 26,8m)



**Jib 30° luffed**





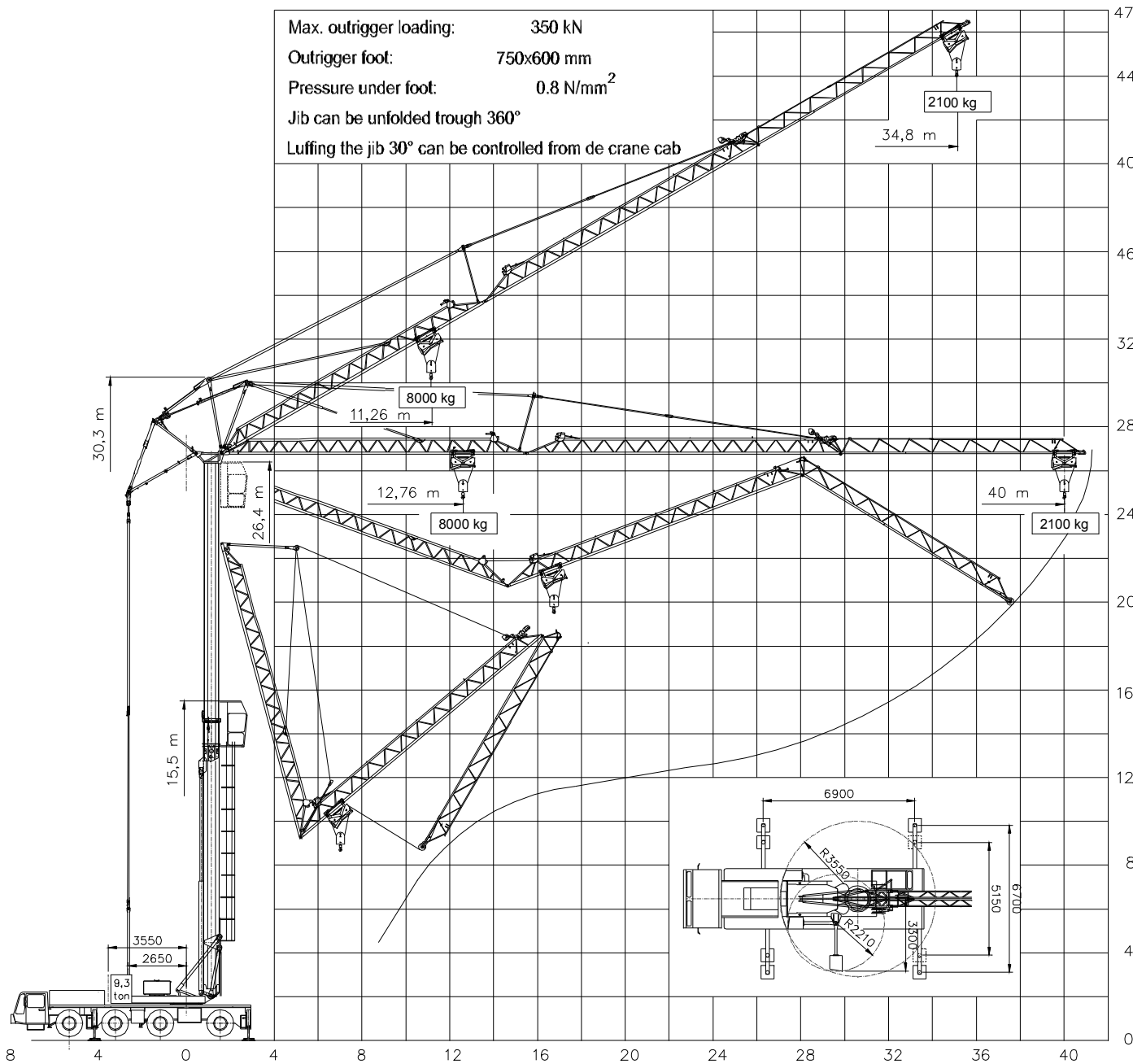
# SPIERINGS HYDRAULIC FOLDING CRANE

## SK 488 - AT4

Total weight: 4800 kg


**SPIERINGS**  
**KRANEN** bv  
 Merwedestraat 15  
 5347 KZ Oss NL  
 Tel. 0412-626964  
 Fax 0412-645299

Max. outrigger loading: 350 kN  
 Outrigger foot: 750x600 mm  
 Pressure under foot: 0.8 N/mm<sup>2</sup>  
 Jib can be unfolded trough 360°  
 Luffing the jib 30° can be controlled from de crane cab



## SPIERINGS HYDRAULIC FOLDING CRANE SK 488 - AT4



Merwedestraat 15  
 5347 KZ Oss NL  
 Tel. (31) 412 626964  
 Fax (31) 412 645299